

Stock Pot Ranges



Model ISPA-18



3-Ring Burner. Standard burner with two adjustable valves.



Model ISP-J-SP



Anti-clogging 18-Tip Jet Burner

Model Numbers

Stock Pot Ranges

ISPA-18

ISPA-18-2

Hi-Temp Stock Pot Ranges

ISP-J-SP

ISP-J-SP-2

Stock Pot Range Features

- 3-Ring burner with two adjustable gas valves provide flexibility and maximum 90,000 BTU/hr. (26 KW) high performance cooking. Standard on models ISPA-18 and ISPA-18-2.
- Burners are equipped with two continuous pilots for instant ignition.
- Heavy duty cast iron top grate removes for cleaning.
- Roll front is easy to load and gradual slope design reduces spill-overs.
- Sturdy stainless steel cabinet base provides additional storage.

High Temp Stock Pot Range Features

- Anti-clogging 18-Tip Jet Burner with cone-shaped intense heat. 125,000 BTU/hr. (37 KW).
- Burners are equipped with two continuous pilots for instant ignition.
- Heavy duty cast iron top grate removes for cleaning.
- Roll front is easy to load and gradual slope design reduces spill-overs.
- Sturdy stainless steel cabinet base provides additional storage.

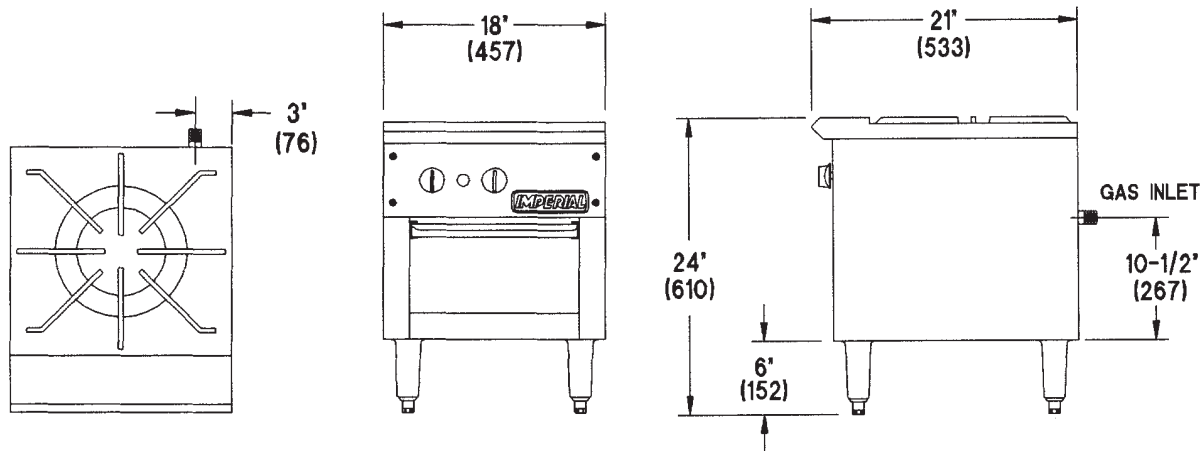
All measurements in () are metric equivalents.

Features

- Stainless steel front, sides and cabinet.
- Welded stainless steel seams.
- Heavy duty legs with adjustable feet.
 - 6" (152) standard on ISPA-18 and ISPA-18-2.
 - 12" (503) standard on ISP-J-SP and ISP-J-SP-2.
- One year parts and labor warranty.
- AGA and CGA design certified, NSF listed.



Imperial Stock Pot Ranges



Model#	Width	Depth	Height	Burner Description	Gas Output BTU (KW)	Ship Weight (Kg.) Lbs.
Stock Pot Ranges						
ISPA-18	18" (457)	21" (533)	24 (610)	(1) 3-Ring Burner	90,000 (26)	57 125
ISPA-18-2	18" (457)	42" (1067)	24 (610)	(2) 3-Ring Burner	180,000 (53)	114 250
High Temp Stock Pot Ranges						
ISP-J-SP	18" (457)	21" (533)	24 (610)	(1) Anti-clogging Jet Burner	125,000 (37)	62 135
ISP-J-SP-2	18" (457)	42" (1067)	24 (610)	(2) Anti-clogging Jet Burner	250,000 (73)	114 250

Crated Dimensions: Height = 28" (712) Depth: add 2 1/2" (64) to unit depth. Width: add 2 1/2" (64) to unit width.
All measurements in () are metric equivalents.

Standard Exterior Specifications

Front, sides and cabinet base shall be constructed of stainless steel with welded and finished stainless steel seams. Control Knobs shall be constructed of durable cast iron with a polished chrome finish. Cabinet Base shall be constructed of stainless steel. Legs shall be in a set of four, 6" (152) adjustable legs for ISPA-18 and ISPA-18-2 models and 12" (503) adjustable legs for ISP-J-SP and ISP-J-SP-2.

Stock Pot Specifications

3-Ring burner shall have an inner ring providing 45,000 BTU/hr. (13 KW) and an outer ring providing an additional 45,000 BTU/hr. (13 KW). The heavy duty burner shall weigh 32 lbs. (15 Kg).

Intense heat burner shall be an anti-clogging jet burner type rated at 125,000 BTU/hr. (37 KW) providing cone shaped intense heat.

Gas valves shall be equipped with two adjustable gas valves and two continuous pilots for instant ignition.

Top grate shall be constructed of heavy duty casting weighing 38 lbs. (17 Kg). Top grate shall be designed with a gradual slope to reduce spillovers.

Drip tray shall be full width and remove for cleaning.

Gas: Manifold pressure is 5.0" W.C. for natural gas or 10.0" for propane gas. Manifold size 3/4" NPT. 3/4" pressure regulator supplied with equipment to be installed at time of connection. Specify type of gas and elevation if over 2000 ft. (610 m).

Clearance: For use only on non-combustible floors. Legs or casters are required for non-combustible floors. Provide 0" clearance from non-combustible surfaces and 17" (432) from combustible surfaces.

Optional Items

- ISPA-18 and ISPA-18-2 are available in 18" (457) height
- Quick disconnect and flexible gas hose
- Extra burner control for 3-Ring Burner
- Extra Top Grate
- Interchangeable 13" (330) or 16" (406) Wok Tops
- Side-by-side models available
- 6" (152) casters