



Follow the Leader™

Floral • Deli • Seafood • Meat • Bakery • Produce • Front End

INTRODUCING THE UNISOURCE HEAVY DUTY COMPACT BENCH DOUGH SHEETER™

This heavy duty countertop sheeter is an efficient 3 roller, two stage machine featuring quick change handles, front in-feed, front out-feed belt and powerful 1 HP motor.

Sheets up to 20" and makes approximately 600 pieces per hour. Save thousands on labor with uniform dough sheeting. Easy to operate.

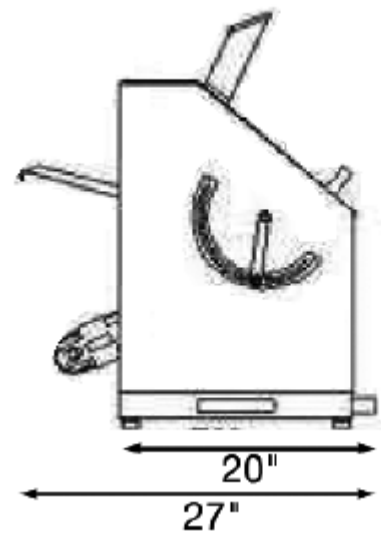
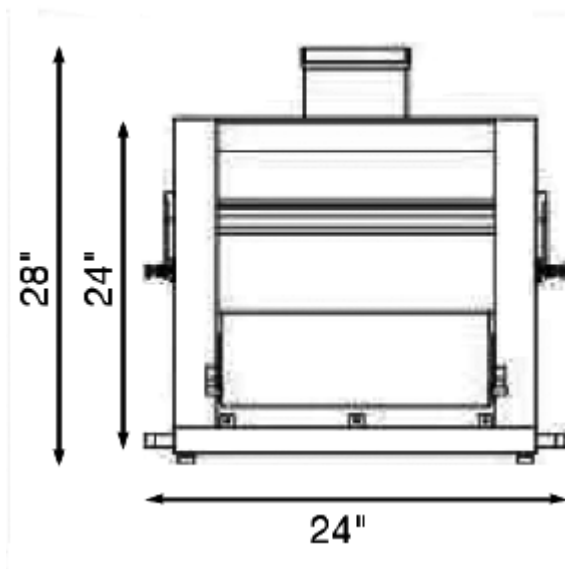


The Unisource Heavy Duty
COMPACT BENCH SHEETER™
with 3 Roller, Two Stage Machine for
Uniform Dough Sheeting **UNI-COMPACT-BDS**

Ideal For:

- Sweet Doughs
- Pizza Doughs
- Calzones
- Pie Crusts
- Pita Bread
- Flour Tortilla's
- Wraps
- Donut Dough
- Cookies
- Pierogies

**EASY ACCESS TO
TEFLON STYLE ROLLERS
FOR CLEARING OF DOUGH
& EASY CLEANING**



Specifications

Power - 0.75Kw/10 Amps

Dough Base Diameter: Up to 20 Inches

Dough Base Thickness: 0 - .63 Inches

No. of Pieces Per Hour: 600

N.W: 385 lbs.

Plug N' Go Operation: 110V Single Phase

Safe, Simple, Easy To operate

Phone: (888) 443-8782 • Fax: (516) 681-0845 • email: unisource4@aol.com
56 Rockland Drive, Jericho NY 11753