



Follow the Leader™

Floral • Deli • Seafood • Meat • Bakery • Produce • Front End

INTRODUCING
THE UNISOURCE HEAVY DUTY
FRENCHIE II™
BAGUETTE BREAD MOULDER
WITH STAND & CASTERS

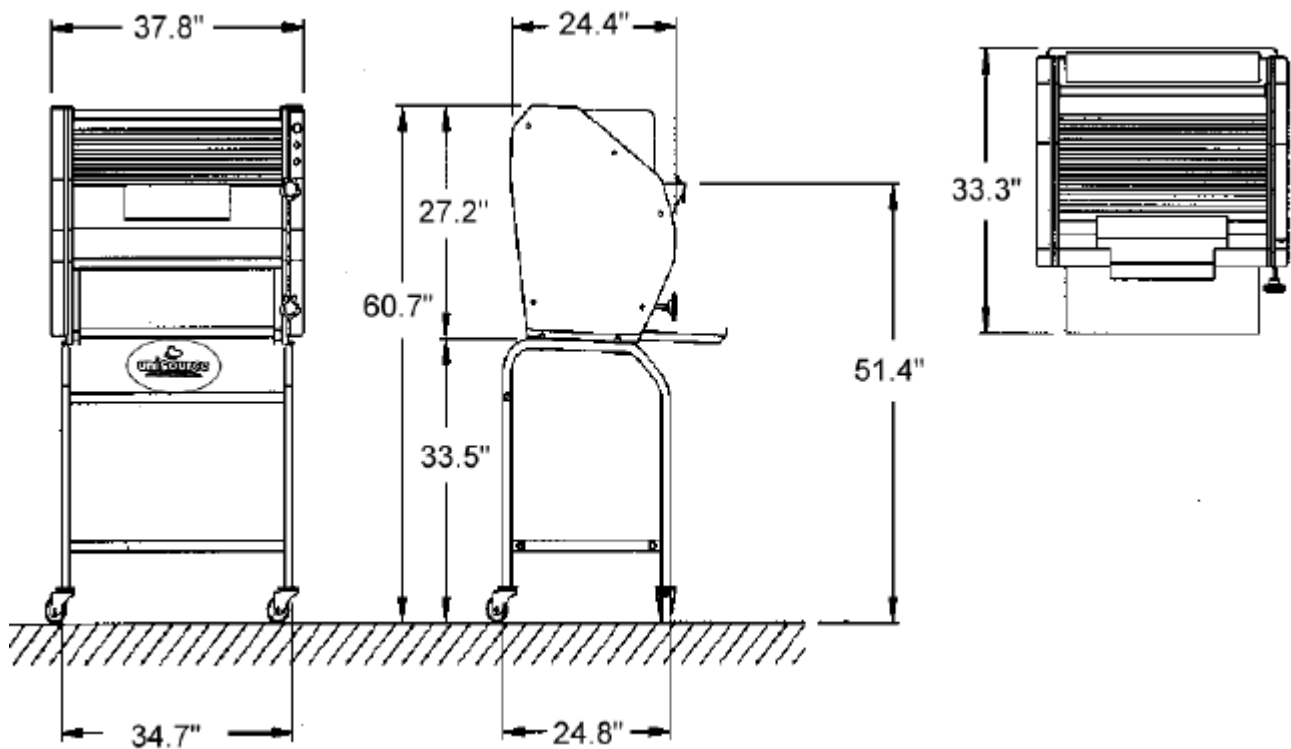
Features:

- Dough Capacity 2.8 oz. to 35 oz. (2.2 lbs.)
- Heavy Duty Cast aluminum frame w/ABS case
- Cladding and in-feed chute epoxy painted
- Quiet operation
- Dual water repellent treated 100% wool moulding belts
- Right hand mounted control panel
- Safety touch bar
- 1500 pieces per hour production capability
- Easy to store w/swivel casters
- Easy to clean
- Cord included (no plug)
- Stand w/Casters included
- One year parts/labor warranty
- Precise uniform moulding system
- 24/7 nationwide service



HEAVY DUTY FRENCHIE II™
BAGUETTE BREAD MOULDER WITH
STAND & CASTERS
THAT'S BUILT TO LAST!
UNI-FBM-2

THE UNISOURCE HEAVY DUTY FRENCHIE II™ BAGUETTE BREAD MOULDER WITH STAND & CASTERS



TECHNICAL DATA

Model

Operation

Production Output

Loading Height

Discharge Chute Height (w/Stand)

Dough Capacity

Electrical

Dimensions

Overall Dimensions w/Stand

Weight

UNI-FBM-2

Bread Moulder

1500 pieces per hour

(w/Stand) 61"

34.5"

2.8 oz. to 35 oz.(2.2 lbs.)

240/60/3 @ 1.3 amps .55kw

39.8" W x 40.431.5" D x 60.7" H

290 lbs.