



Follow the Leader™

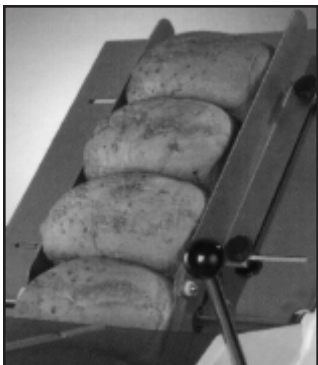
Floral • Deli • Seafood • Meat • Bakery • Produce • Front End

INTRODUCING UNISOURCE GRAVITY CHUTE ARTISAN BREAD SLICERS



- High production gravity chute
- Heavy Duty construction
- Slices soft and heavy breads
- Crumb drawer for E-Z cleaning
- Includes heavy duty caster wheels
- Fully automatic
- One year parts/labor warranty
- 24/7 Nationwide Service

Phone: (888) 443-8782 • Fax: (516) 681-0845 • email: info@unisourcefoodequipment.com • www.unisourcefoodequipment.com
56 Rockland Drive, Jericho NY 11753

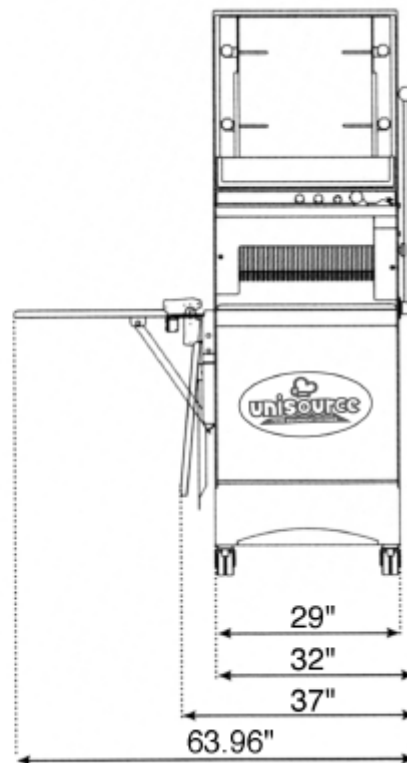
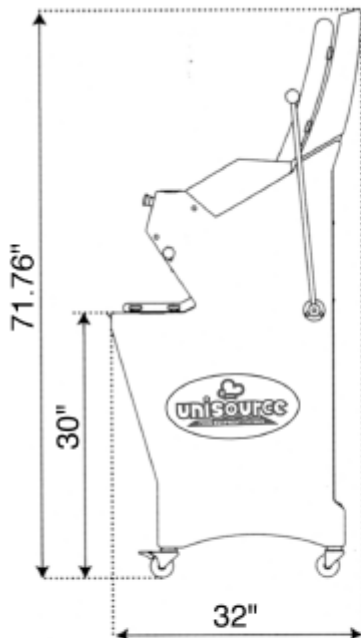


The same size Pullman loaves are loaded. Slicing can be carried out in series or per individual loaf, depending on the request.

Due to an ingenious system allowing to fold back the bag opening blowing device (optional), the Chute can be stored in a tight space after use.



The traction lever helps push the last loaves into the slicing blades.



TECHNICAL SPECIFICATIONS

Chute	450
Features	
Max. loaf dimensions (L x w x h) (inches)	17.16"L x 6.24"W x 6.24" H
Power output (in kW)	0.37
Net weight (in lbs.)	506 lbs.
Choice of	
Slice thickness (inches)	from 0.429" to 0.624"
Loaf height	low, normal, high
Type of motor 400/220V	single- or three-phase
Option	
Bag opening blowing system	•