



*Follow the Leader™*

Floral • Deli • Seafood • Meat • Bakery • Produce • Front End

## **INTRODUCING THE HEAVY DUTY UNISOURCE INTERMEDIATE PROOFER**

Unisource's compact Intermediate Proofers allow for consistent resting times, while saving precious square feet. Its efficient design allows for any vertical type bread moulders to be placed on top of the unit.

### ***Features:***

- Efficient
- Loading and unloading is handled at the same height
- Hammocks advance through the use of large, convenient push buttons on either side of the unit
- Removable synthetic hammock lining
- Convenient control panel including emergency stop switch
- Resistant Epoxy finish on frame and exterior panels
- Thermally protected, sealed gear box assembly
- Self tensioning chain on cast sprockets mounted on ball bearings

### **4 Models are Available:**

**UNI-MCPL 30** - 44 1/2" wide x 48 1/2" deep

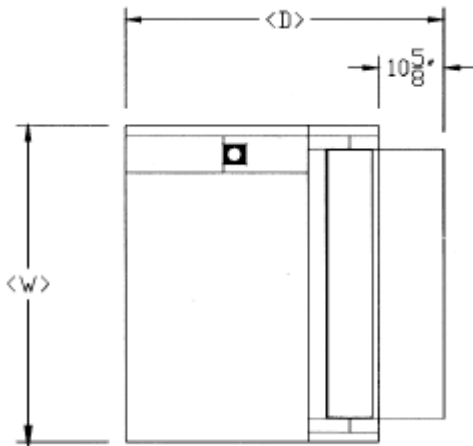
**UNI-MCPL 40** - 52 1/3" wide x 48 1/2" deep

**UNI-MCPL 50** - 60 1/4" wide x 48 1/2" deep

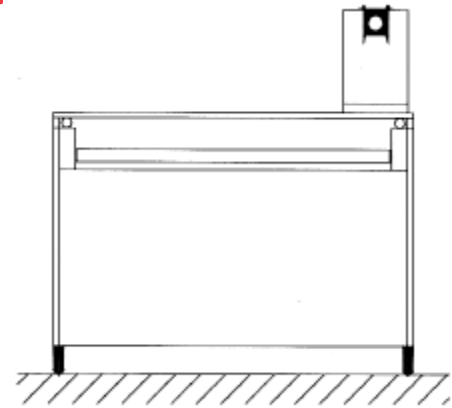
**UNI-MCPL 60** - 68 1/4" wide x 48 1/2" deep



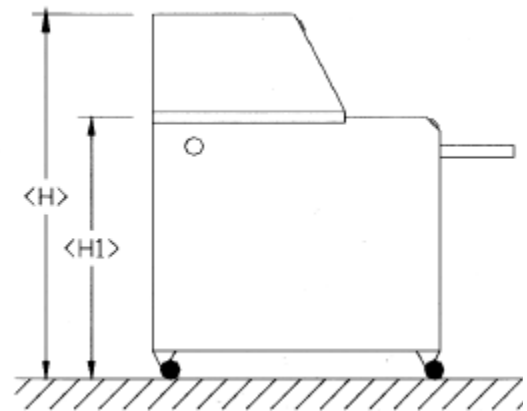
# INTRODUCING THE HEAVY DUTY UNISOURCE INTERMEDIATE PROOFER



TOP VIEW



FRONT VIEW



SIDE VIEW

## TECHNICAL DATA

GENERAL	UNI-MCPL30	UNI-MCPL40	UNI-MCPL50	UNI-MCPL60
Total Capacity Dough Pieces)	180	210	270	300
Total Dough Pockets Across	6	7	9	10
Total Trays	30	30	30	30
<b>ELECTRICAL</b>				
Voltage/Phases	208/3	208/3	208/3	208/3
Power (Kw)	0.25	0.25	0.25	0.25
Amperage (A)	0.8	0.8	0.8	0.8
<b>DIMENSIONS</b>				
Height (Inches)	52"	52"	52"	52"
Width (Inches)	44 1/2"	52 1/3"	60 1/4"	68 1/4"
Depth (Inches)	48 1/2"	48 1/2"	48 1/2"	48 1/2"
Height at Moulder (Inches)	37 1/4"	37 1/4"	37 1/4"	37 1/4"
Useful Width Hammocks (Inches)	42"	53"	53"	53"
<b>WEIGHT</b>				
Net Weight (lbs.)	768	798	825	855
Gross Weight (lbs)	848	878	908	938

Phone: (888) 443-8782 • Fax: (516) 681-0845 • email: info@unisourcefoodequipment.com • www.unisourcefoodequipment.com  
56 Rockland Drive, Jericho NY 11753