



*Follow the Leader™*

Floral • Deli • Seafood • Meat • Bakery • Produce • Front End

## **INTRODUCING**

# **UNISOURCE HEAVY DUTY PICO & PICOMATIC TABLE TOP ARTISAN BREAD SLICERS**



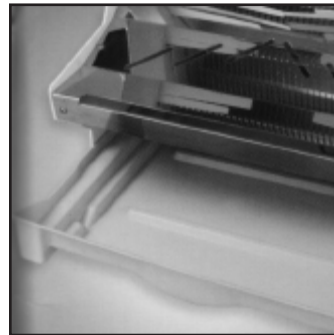
- Compact and safe design
- Semi-automatic Pico, fully automatic picomatic
- Slices soft and artisan heavy breads
- Silent operation
- Heavy Duty construction
- One year parts/labor warranty
- 24/7 Nationwide Service

Phone: (888) 443-8782 • Fax: (516) 681-0845 • email: [info@unisourcefoodequipment.com](mailto:info@unisourcefoodequipment.com) • [www.unisourcefoodequipment.com](http://www.unisourcefoodequipment.com)  
56 Rockland Drive, Jericho NY 11753

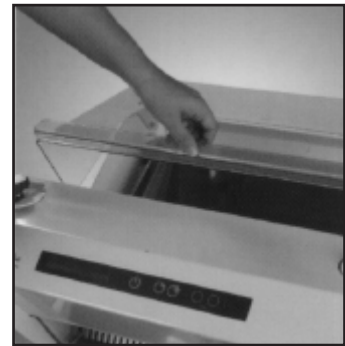
Follow the Leader™



The Pico and Picomatic can easily take large round loaves. Once cut the slices are maintained by the Jac Flaps.



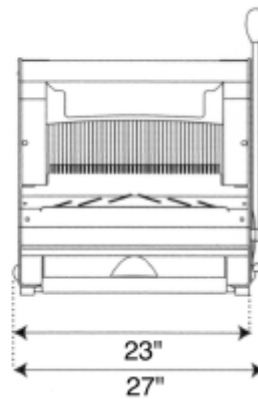
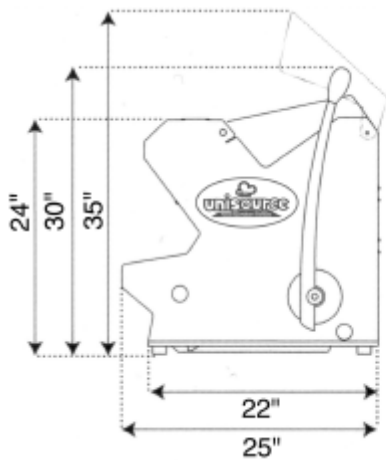
A thermoformed tray made out of a high-strength techno polymer will collect up to 7 litres of crumbs.



As an optional feature, the Pico and Picomatic can be fitted with a safety cover, which will start the slicer up, and open automatically once slicing is over.



Also optional on the Pico & Picomatic is the supply of a base mounted on casters with an in-built shelf for storing bags.



### TECHNICAL SPECIFICATIONS

| FEATURES:                                  | PICO 450                   | PICO 450M               | PICOMATIC 450          | PICOMATIC450M           |
|--|----------------------------|-------------------------|------------------------|-------------------------|
| Maximum loaf dimensions (Lx w x h) (in cm) | 17.16" x 11.7" x 6.24"     | 17.16" x 11.31" x 6.24" | 17.16" x 11.7" x 6.24" | 17.16" x 11.31" x 6.24" |
| Power output (in kW)                       | 0,49                       | 1,5                     | 0,49                   | 1,1                     |
| Net weight (in kg)                         | 231 lbs.                   | 253 lbs.                | 231 lbs.               | 253 lbs.                |
| CHOICE OF:                                 |                            |                         |                        |                         |
| Slice thickness                            | from 0.312" to 0.624"      | from 0.351" to 0.429"   | from 0.312 to 0.624"   | from 0.351" to 0.429"   |
| Loaf height                                | low or normal              | normal                  | low or normal          | normal                  |
| Type of motor 110V/208-220                 | single or three-phase      | three-phase             | single or three-phase  | three-phase             |
| Color                                      | Red, yellow, purple, peach |                         |                        |                         |
| OPTION:                                    |                            |                         |                        |                         |
| Base with casters (24 Inches)              | •                          | •                       | •                      | •                       |
| Safety lid                                 | •                          | •                       | •                      | •                       |

Phone: (888) 443-8782 • Fax: (516) 681-0845 • email: info@unisourcefoodequipment.com • www.unisourcefoodequipment.com  
56 Rockland Drive, Jericho NY 11753