



Follow the Leader™

Floral • Deli • Seafood • Meat • Bakery • Produce • Front End

INTRODUCING
THE UNISOURCE HEAVY DUTY
ROUND-A-BOUT VI™
36 PART FULLY AUTOMATIC
BUN DIVIDER/ROUNDER

Features:

- Automatic Divider Rounder
- Exclusive - Mechanical rounding operation
- Dough capacity 2.5 lbs. to 8.8 lbs.
Finished wt. 1.1 oz. to 3.9 oz.
- Heavy Duty Cast iron base
- S/S cutting knives
- Aluminum alloy/teflon coated dividing disc
- Quiet belt driven operation
- Removable pressing handle
- 2800 pieces per hour production capability
- Adjustable weight bar
- Easy to clean dividing disc
- Includes 3 sanitary moulding plates
- Power cord (no plug)
- One year parts/labor warranty
- 24/7 nationwide support

Accessories:

- Additional moulding plates

Options:

- UNI-BDRS-L3B (30 part 1 oz. to 3.5 oz.) 30-100 gms.
- UNI-BDRS-3L3C (36 part .35 to 1.4 oz.) 10-40 gms.



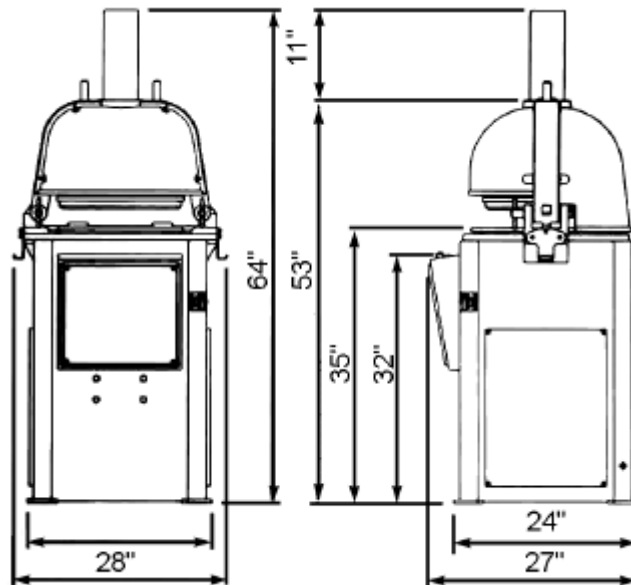
ROUND-A-BOUT III™
FULLY-AUTOMATIC DIVIDER/ROUNDER
Heavy Duty Cast Iron Base Built to Last with
Electric-Mechanical Rounding Operation
Model UNI-BDRS-3L3A

Phone: (888) 443-8782 • Fax: (516) 681-0845 • email: info@unisourcefoodequipment.com • www.unisourcefoodequipment.com
56 Rockland Drive, Jericho NY 11753



Follow the Leader™

INTRODUCING
THE UNISOURCE HEAVY DUTY
ROUND-A-BOUT VI™
36 PART FULLY AUTOMATIC BUN DIVIDER/ROUNDER



Technical Data

Model	UNI-BDRS-3L3A
Operation	Fully-Automatic
Minimum Dough Capacity	2.5 lbs
Maximum Dough Capacity	8.8 lbs.
Final Product Range (wt.)	1.1 oz. to 3.9 oz.
Maximum Production Output	2800 pieces per hour
Electrical	240/60/3 @ 3.2 amps 1.3 kw

Dimensions

Overall Dimensions	28" W x 27" D x 64" H
Weight	765 lbs.
Shipping Dimensions	29.5" W x 29.5" D x 74.4" H
Shipping Weight	875 lbs

Phone: (888) 443-8782 • Fax: (516) 681-0845 • email: unisource4@aol.com
56 Rockland Drive, Jericho NY 11753