



Follow the Leader™

Floral • Deli • Seafood • Meat • Bakery • Produce • Front End

INTRODUCING

UNISOURCE HEAVY DUTY SELF-SERVICE ARTISAN BREAD SLICER



- Fully automatic self-service slicer
- Great for customers to slice their bread safely
- Easy one step operation. Just load bread & push bottom
- Silent and safe operation
- Heavy Duty construction
- Slices soft and heavy artisan breads
- Crumb drawer for E-Z cleaning
- Includes heavy duty caster wheels
- Fully automatic
- One year parts/labor warranty
- 24/7 Nationwide Service

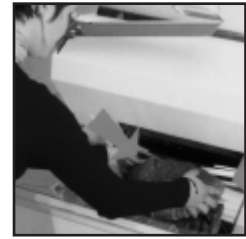
Phone: (888) 443-8782 • Fax: (516) 681-0845 • email: info@unisourcefoodequipment.com • www.unisourcefoodequipment.com
56 Rockland Drive, Jericho NY 11753

Follow the Leader™



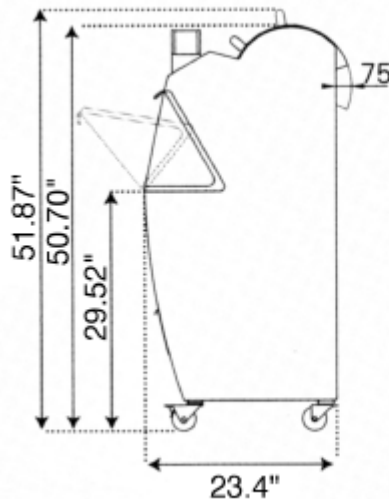
1. Load Bread.

3. Retrieve Sliced Bread.



2. Start Slicing When Closing Cover.

4. Bag on Bagging spade.



TECHNICAL SPECIFICATIONS

Self	450	450M
Features		
Max. loaf dimensions (L x w x h) (inches)	17.26" x 12.48" x 6.24"	17.16" x 12.09" x 6.24"
Power output (in kW)	0.55	1.1
Net weight (in lbs.)	385 lbs.	418 lbs.
Choice of		
Slice thickness (inches)	from 0.312" to 0.624"	from 0.351 to 0.429"
Loaf height	low, normal, high	normal
Type of motor 208/220V	single- or three-phase	single- or three-phase
Option		
Front safety protection in Perspex	•	included

Phone: (888) 443-8782 • Fax: (516) 681-0845 • email: info@unisourcefoodequipment.com • www.unisourcefoodequipment.com
56 Rockland Drive, Jericho NY 11753