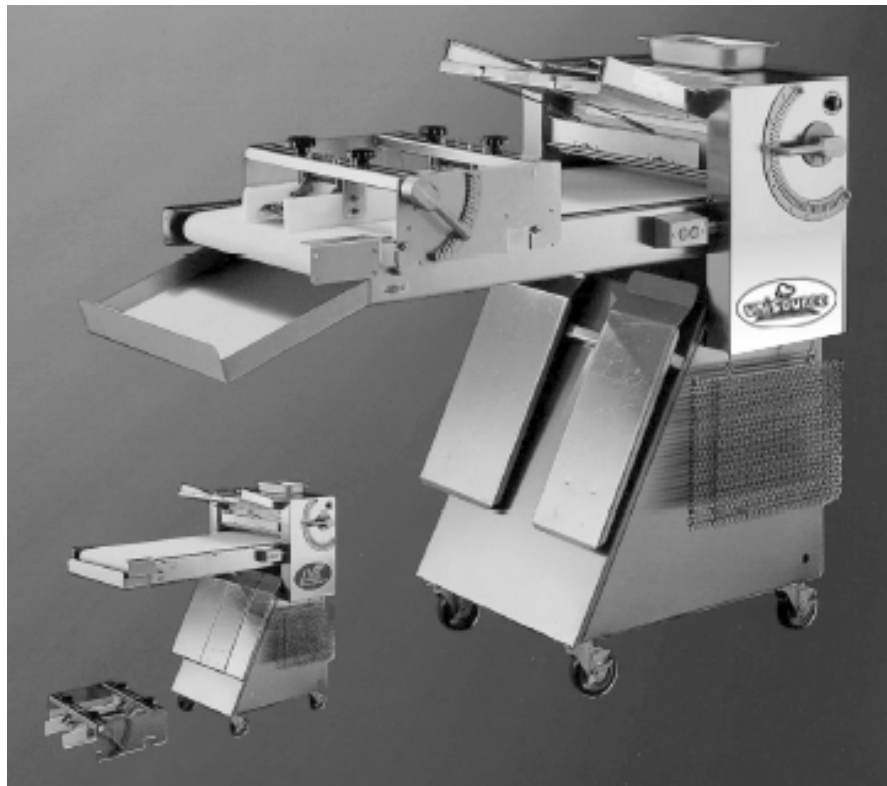




Follow the Leader™

Floral • Deli • Seafood • Meat • Bakery • Produce • Front End

## INTRODUCING THE UNISOURCE HEAVY DUTY BREAD MAX™ SHEETER/MOULDER



Same time, labor and money with this easy-to-operate sheeter/moulder. Even the most inexperienced employee can make 30 breads in a minute and roll pies and pastries faster than any baker.

Cookie doughs can be sheeted and cut right on the belt. Make your bakery operation more productive with the Unisource Sheeter/Moulder.

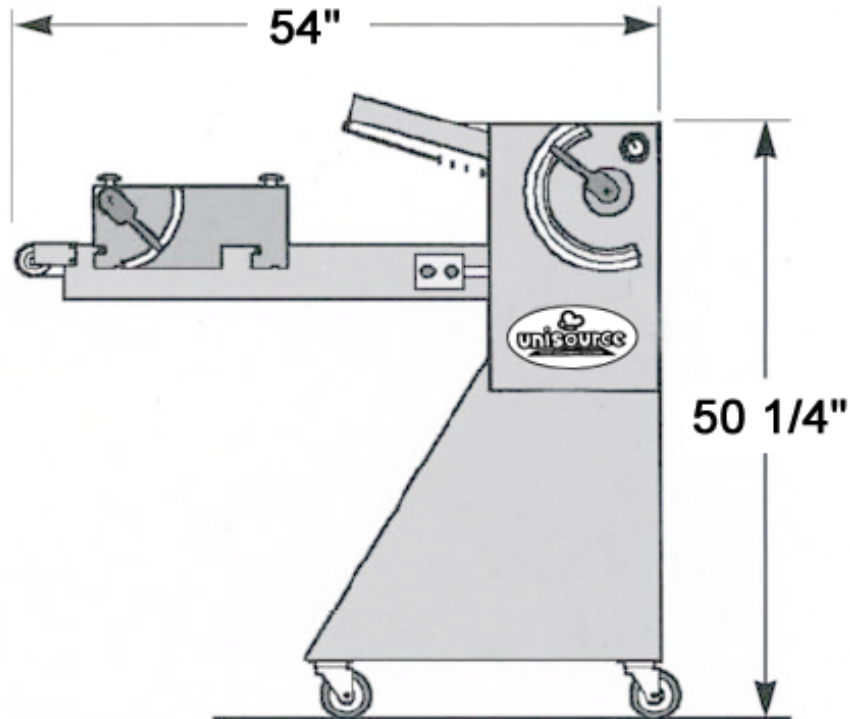
### **Features:**

- Heavy Duty Stainless Steel Construction
- Stainless Steel Curling chains
- Polyethylene dough guides, adjustable
- Nylon scrapers - easily removed for cleaning, no tools required
- Electronic Speed Control
- 2-ply polyester belt
- Two sets of cast nylon rollers - positive adjustment
- Two On/Off stations located on either side of machine
- 20' electrical cord
- Moulding assembly removable when not in use
- Pressure Plates - 6", 9", and 12"
- 1 Year Parts & Labor
- 24/7 Nationwide Service



Follow the Leader™

## INTRODUCING THE UNISOURCE HEAVY DUTY BREAD MAX™ SHEETER/MOULDER



### *Specifications:*

- Four 4" Dia. Casters - All locking type
- 3/4 HP Motor, 115V, 60 Cycle, 1 Phase, 7.5 Amps
- Sealed Bearings throughout, no greasing necessary
- Equipped with Automatic Roller Safety Switch - lift the bar and motor shuts off
- Weight - approximately 450 lbs.

### *Options:*

- 14", 16", 18", 20" or 22" Pressure Plate

### *Dimensions:*

MODEL	BELT WIDTH	TABLE WIDTH	WIDTH OVERALL	LENGTH
UNI-X-20	20"	23"	31"	55"
UNI-X-24	24"	27"	35"	55"

Phone: (888) 443-8782 • Fax: (516) 681-0845 • email: [info@unisourcefoodequipment.com](mailto:info@unisourcefoodequipment.com) • [www.unisourcefoodequipment.com](http://www.unisourcefoodequipment.com)  
56 Rockland Drive, Jericho NY 11753