



Follow the Leader™

Floral • Deli • Seafood • Meat • Bakery • Produce • Front End

INTRODUCING

UNISOURCE HEAVY DUTY TABLE-BASED BREAD SLICER



- The most compact and safe bread slicer on the market
- Fully automatic
- New design slices up to two loaves at a time
- Silent operation
- Heavy duty construction
- One year parts/labor warranty
- 24/7 Nationwide Service

Phone: (888) 443-8782 • Fax: (516) 681-0845 • email: info@unisourcefoodequipment.com • www.unisourcefoodequipment.com
56 Rockland Drive, Jericho NY 11753

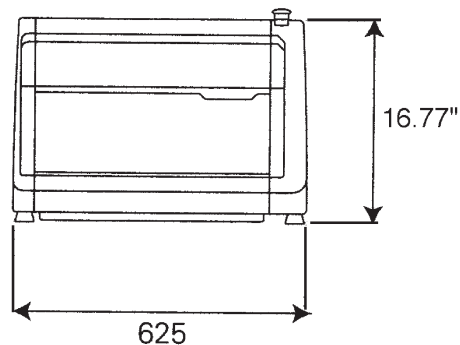
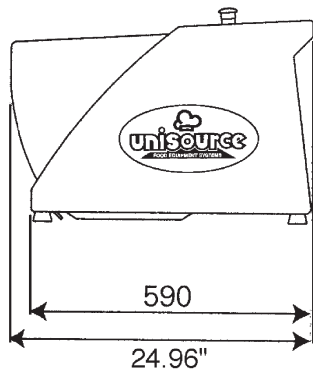
Follow the Leader™



Manual handling is kept to a minimum with the Topmatic, thanks to its superior ergonomic design.



The loaves are loaded once the front-loading cover is open. As the cover locks, the loaves are sliced automatically and exit through the upper opening, right next to the bagging device.



TECHNICAL SPECIFICATIONS

FEATURES:

Maximum loaf dimensions (L x w x h) (in Inches)
Power output (in kW)
Net weight
CHOICE OF:
Slice thickness
Loaf height
Type of motor 110V/208-220V
Color
OPTION:
Base with casters (height: 31.98")

UNI-420

15.99" x 7.02" x 6.24"
0.49
211.2 lbs.
from 0.312" to 0.624"
normal
single- or three-phase
Red, white, yellow, purple, peach

•