



Follow the Leader™

Floral • Deli • Seafood • Meat • Bakery • Produce • Front End

INTRODUCING UNISOURCE HEAVY DUTY "Volumetric" DIVIDER

This Unisource heavy duty compact divider has a **special designed** dividing drum and **intake piston** therefore, ensures careful dough handling at minimum pressure and no warming of dough.

It divides even **sensitive dough** as **gently** as by hand. The hopper and all panels are made of **stainless steel**. Weight adjustment is done by push buttons in this automatic model.

The electronic control system is also displayed on digital display as a ratio of dough processed.

Weight ranges are 1.76 oz. - 7 oz., 3.5 oz. - 21 oz., or 8.8 oz. - 35 oz.

Total motor power is 3,2 kw 220/60/3 Phase (Flour, water ratio less than 50 %).



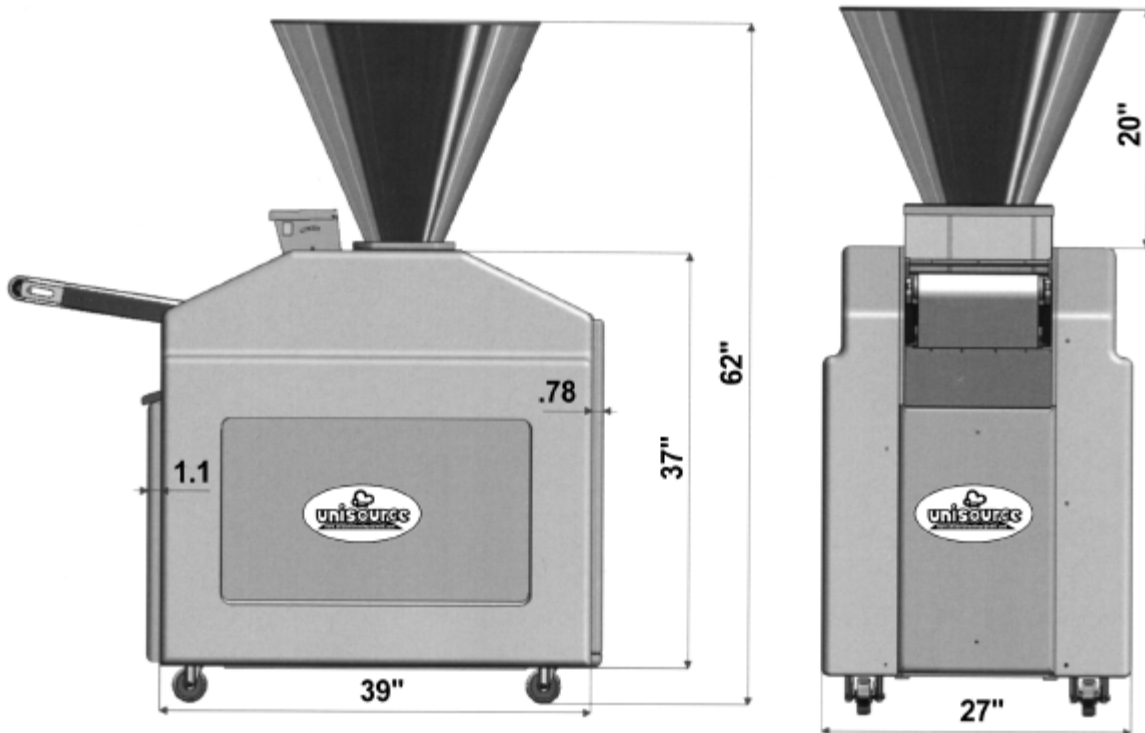
TECHNICAL SPECIFICATIONS

- Heavy duty Frame, Piston & Hopper.
- Dividing drum **chromium-plated** and cylinder is **stainless steel**.
- Sucking piston **anticorrosive**.
- 24 V control board with digital readout.
- Heavy Duty Casters.
- Machine weight 1100 lbs.
- Industrial model.
- Steeples output **speed adjustment**.
- **Closed circuit** oiling system.
- Standard dough counting.
- Powering with directly from redactor.
- Individually start/stop of flouring motor.
- Heavy duty plastic material lids.(optional)
- Dough doubling at conveyor belt.
- 1 year parts & labor
- 24/7 Nationwide Service.



Follow the Leader™

INTRODUCING UNISOURCE HEAVY DUTY "Volumetric" DIVIDER



TECHNICAL SPECIFICATIONS

Exclusive Features	
Capacity	44 lbs. Dough
Weight of Unit	1100 lb.s
Weight Ranges	1.76 - 7 oz., 3.5 - 21 oz., 8.8 - 35 oz.
Motor Power	3.2 kw 220/60/3 Phase
External Dimensions	27" w x 39" L x 62" H

Phone: (888) 443-8782 • Fax: (516) 681-0845 • email: info@unisourcefoodequipment.com • www.unisourcefoodequipment.com
56 Rockland Drive, Jericho NY 11753