



Follow the Leader™

**INTRODUCING**

## **THE UNISOURCE FORMER-MATIC™ COOKIE/DOG BISCUIT MACHINE**

**New Chuck Style  
Cookie Depositor**

**Accurate Depositing  
& Uniform Shapes**

The Unisource Former-matic Cookie/Dog Biscuit Machine produces hard to deposit cookies and biscuits with raisins, nuts, and chocolate chunks. It's designed for ease of use and reliability for consistent uniform cookies with accurate portioning every time.

The gentle piston action is perfect for chuck style cookies with a gentle paddle sweeping of your dough into a forming mould. As the drum rotates an automatic wire system cuts dough on a conveyer belt where the operator can easily transfer in baking pans.

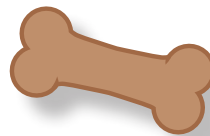
Cleaning of machine is quite simple with no tools needed.



**UNISOURCE FORMER-MATIC™**

### **FEATURES:**

- Compact Design Frame
- Window and cover in transparent methacrylate, easy to remove for cleaning
- Rollers in Delrin® with one or two shapes in the standard version
- Provided with one standard cylinder and one scraper
- Stainless steel paddles
- Conveyor belt standard
- Fast working speed: 2200 r.p.h in the standard version
- Mould thickness can be easily adjusted to change the weight
- Constant weight: the dough forming machine is also a precise and flexible dosing system
- Maximum hygiene: materials suitable for contact with food products
- All the machine is easy to dismantle for cleaning & maintenance. **NO TOOLS!**
- Safe! Codified magnetic micro-switches and physical safety guards to prevent access to moving parts
- 24/7 Nationwide Service



Maximum Safety! Our Unisource Forming Machines have all the safety requirements with a see through cover for visibility on the form process.



Patented! The stainless steel tank is completely removable to facilitate cleaning. All the components that come into contact with dough or the other mixtures are approved for use with foods, in compliance with the HACCP procedure.



Follow the Leader™

## INTRODUCING

# THE UNISOURCE FORMER-MATIC™ COOKIE/DOG BISCUIT MACHINE

### Perfect Former For:

- Chocolate Chip Cookies
- Sugar Cookies
- White Chocolate Macadamia Cookies
- Oatmeal Raisin Cookies
- Short Bread Cookies
- Pet & Animal Biscuit
- Custom Cookies Upon Request

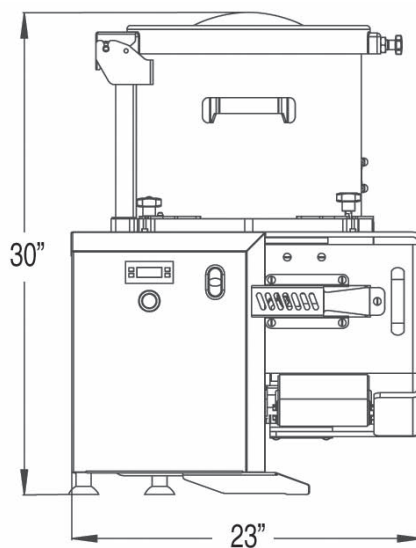
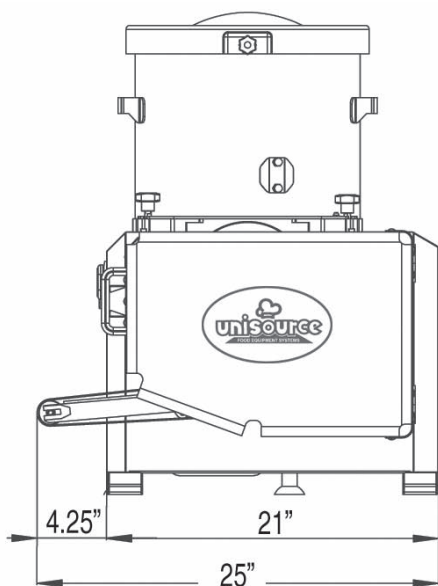


### OPTIONAL:

- Conveyor Belt With Personalized Length
- Foot Control
- Standard, Special or Personal Forming Rollers
- Stainless Steel Tables with Extractable Work Surface and wheels with Brake

### OUTPUT:

- Capacity Per Hour: 2200 Pieces (Single Hole Drum)
- Capacity Per Hour: 4400 Pieces (Double Hole Drum)



### TECHNICAL SPECS:

Model UNI-FM2200

Motor Power: .7 hp

Work Cycles: 2200 per hour

Shape: 4.72 inches max

Net Weight: 140 lbs.

Voltage: 220/60/1 phase or 110v

Hopper Capacity: 60: lbs.

Direct Phone & Service: (516) 527-3309 • (888) 443-7014 • [info@unisourcefoodequipment.com](mailto:info@unisourcefoodequipment.com) • [unisourcefoodequipment.com](http://unisourcefoodequipment.com)  
170 Wilbur Place, Suite 300, Bohemia, New York, 11716